

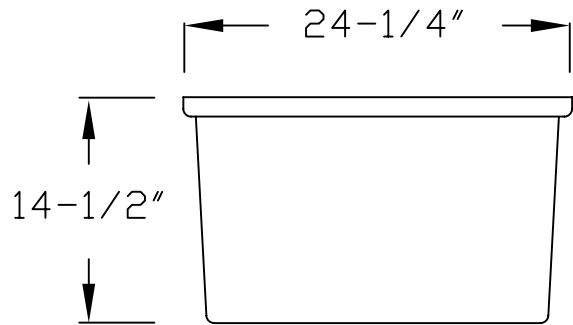
COVER

MB-2 METER BOX WITH TWO
PIECE LOCK DOWN COVER
AS MANUFACTURED BY
SOUTHEASTERN DISTRIBUTORS
INC. OR APPROVED EQUAL

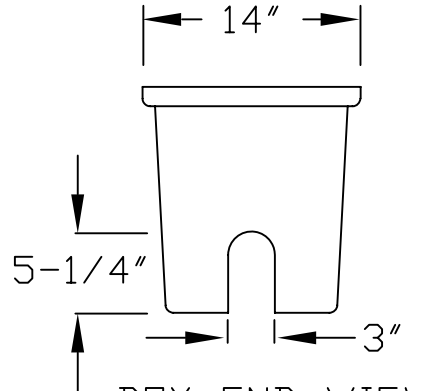
COVER SHALL MEET LOAD
REQUIREMENTS OF SECTION
5.1 - AASHTO M306-04

ALL DIMENSIONS SHOWN
ARE APPROXIMATE BASED
ON MANUFACTURERS DESIGN

SPECIFICATIONS FOR METER BOXES
ARE PUBLISHED IN THE WATERLINE
& SEWER LINE CONSTRUCTION
STANDARD SPECIFICATIONS
(LOCATED AT THE ENGINEERING
& INSPECTIONS WEBSITE-
ONLINE PUBLICATIONS)



BOX SECTION VIEW



BOX END VIEW

GSO-9

REVISED
10-18-06

**Meter Box and Cover
For 1" Meters**

**City of Greensboro
Water Resources Department**