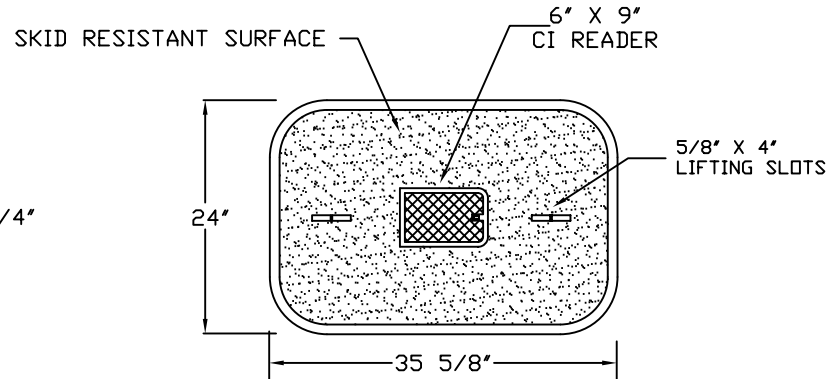
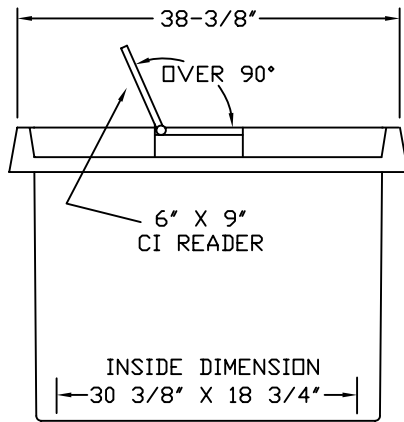


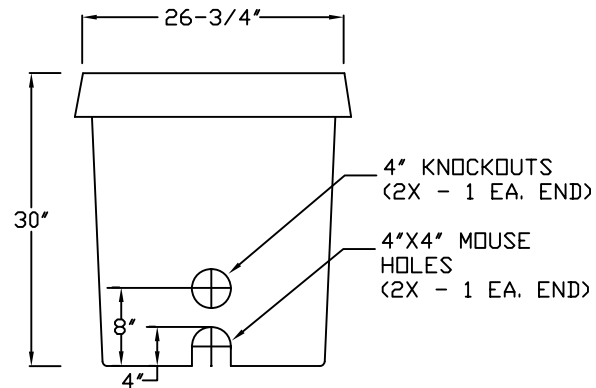
TOP VIEW



COVER
(HEAVY DUTY)



SECTION



END VIEW

BOX	WB04-2436-30
COVER	WC02-2436-3C

MANUFACTURED BY
CDR SYSTEMS CORP.

BOX SIZE: 24" WIDE x 36" LONG x 30" DEEP
DIMENSIONS SHOWN ARE BASED ON
MANUFACTURES DESIGN

MATERIAL: FIBERGLASS REINFORCED
POLYMER CONCRETE AND
FIBERGLASS REINFORCED POLYMER

MEETS ASTM C857 A-16 STANDARDS

DESIGN LOADS - BOX & COVER		
LIVE LB/WHEEL	LIVE + IMPACT LB/WHEEL	SIDE PSF
16,000	20,800	30/80
TEST LOADING SHALL MEET A MINIMUM SAFETY FACTOR OF 1.5 - ASTM C497		

GSO-10
REVISED
10-18-06

**Meter Box and Cover
for 1 1/2" and 2" Meters**

**City of Greensboro
Water Resources Department**