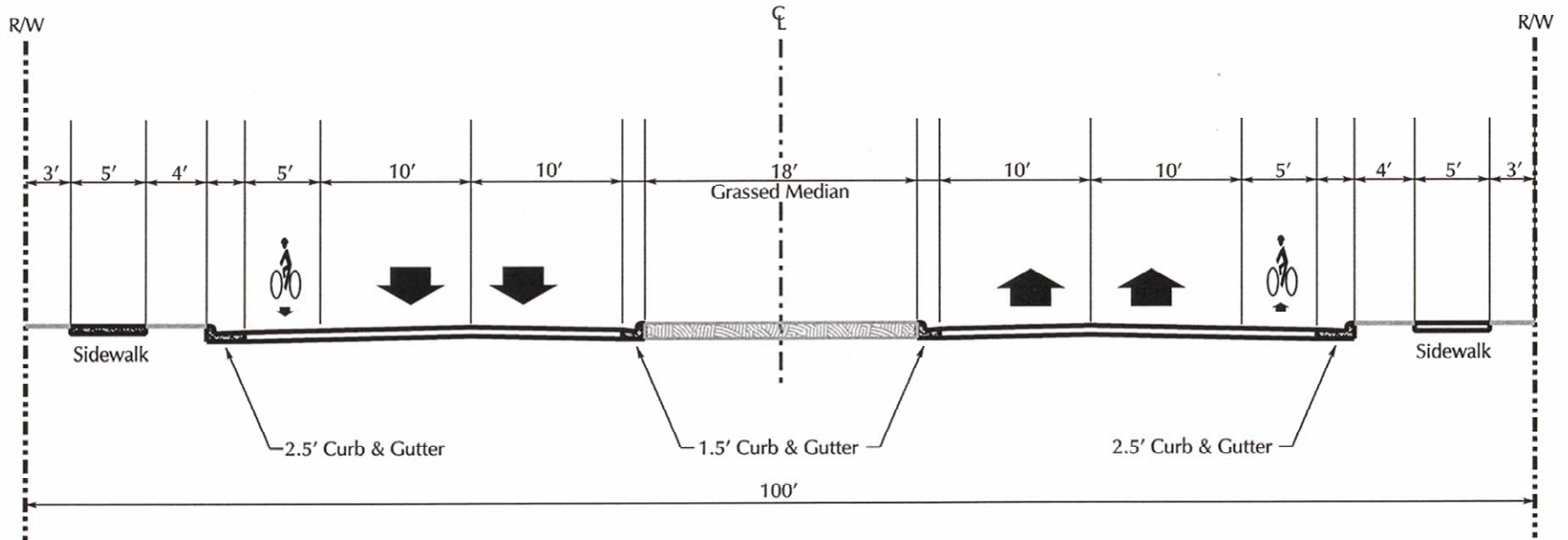


# 4-Lane Median Divided Section



NOT TO SCALE